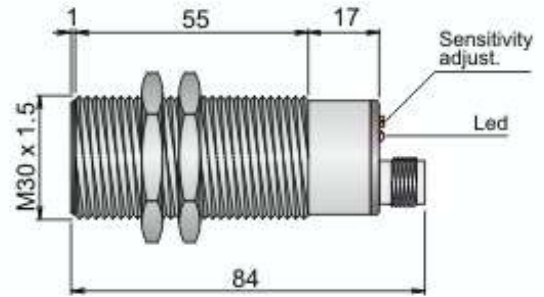


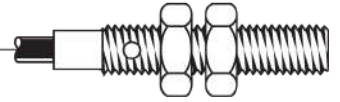
**Part number: C3000019 - Model: SC30SM-C20 PNP NO+NC H**



Dimension in mm

**TECHNICAL CHARACTERISTICS**

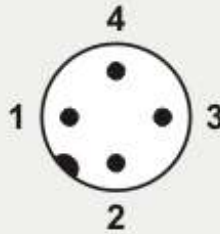
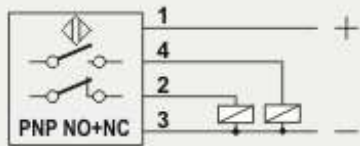
Working voltage:	10 ÷ 55 Vdc
Output type:	DC PNP
Function:	NO+NC
Actuation type:	Instantaneous
Sensing distance (mm):	0 ÷ 20 (adjustable)
Hysteresis (%Sn):	Depends on the switching distance
Max switching frequency:	10 Hz
Repeatability (%Sn):	< 1
Max output current:	300 mA
Absorption:	< = 10 mA @ 24Vdc
Voltage drop:	< 1.8 V
Short circuit protection:	Present
Led indicator:	Present
Shielding:	Embeddable
Mechanical characteristics:	M30x1.5
Housing material:	Nickelled brass
Connection type:	H plug
Temperature limits:	-20 ÷ +70 °C
IP rating:	IP 67
Weight:	260 g



Part number: C3000019 - Model: SC30SM-C20 PNP NO+NC H

## WIRING DIAGRAM

### CONNECTION WITH H PLUG



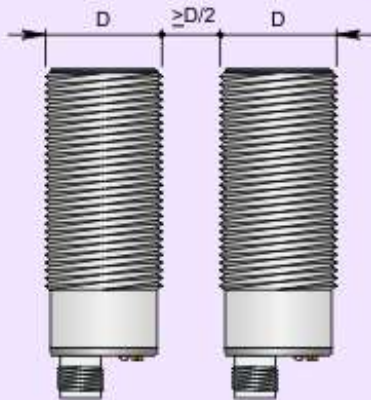
### VIEW OF MALE CONNECTOR

- 1 = Brown / +
- 3 = Blue / -
- 4 = Black / output NO
- 2 = White / output NC

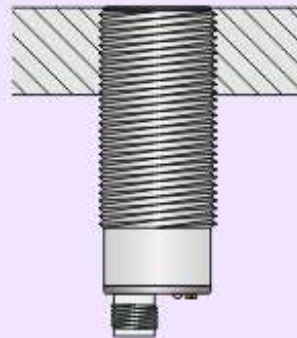
## INSTRUCTIONS FOR CORRECT INSTALLATION

### INSTRUCTIONS FOR CORRECT INSTALLATION

#### EMBEDDABLE



Side by side mounting



Flush mounting